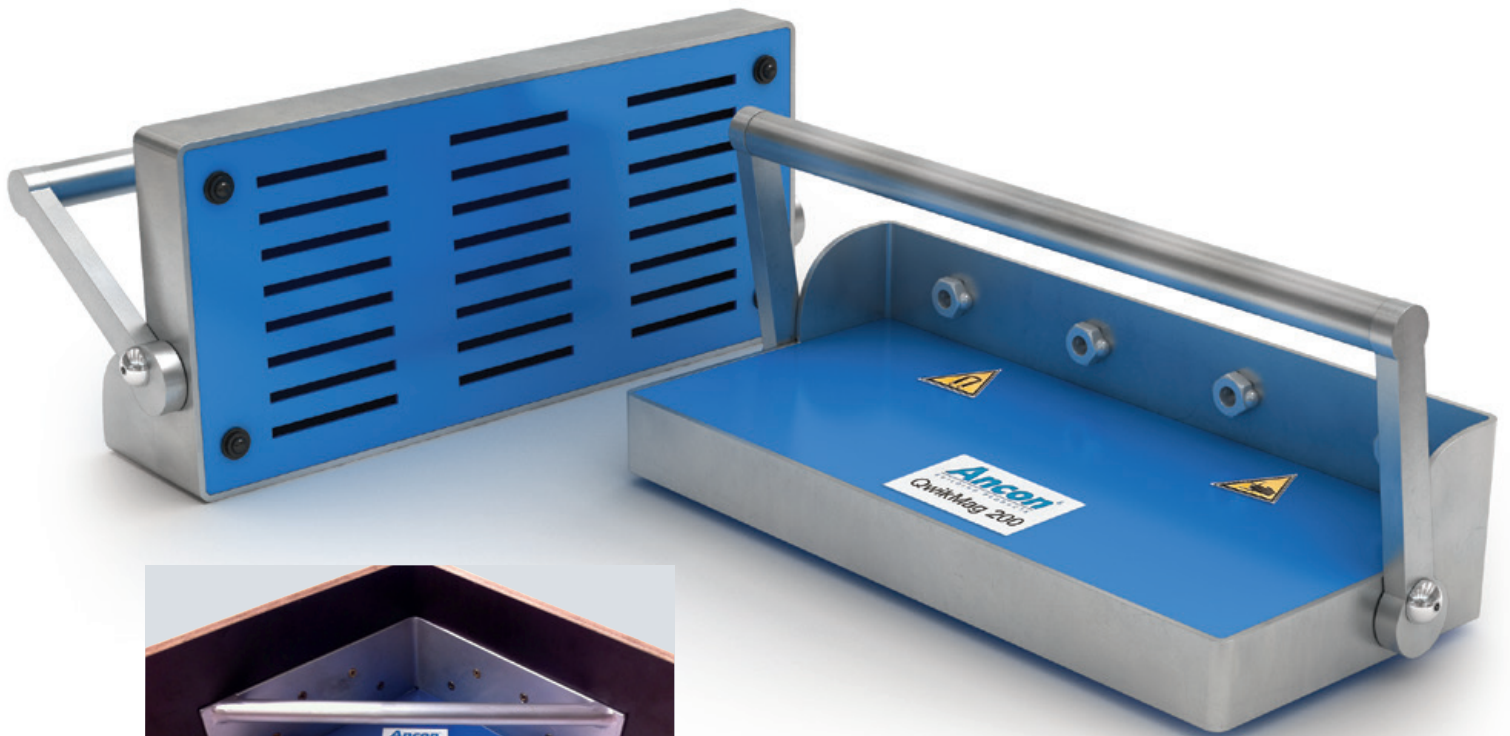


QwikMag Magnetic Clamps

For the precast concrete casting industry



QwikMag is a range of European-engineered high strength magnetic clamps designed for use on steel casting beds. These durable clamps simply glide into position on the casting table and are then easily and accurately locked down without any backward movement.

The range comprises the QwikMag200 and the QwikMag90.

The QwikMag200 is designed for fixing to steel, timber or aluminium formwork to form a consistent straight line. The QwikMag90 is a right angled unit for fixing to timber formwork, typically used to create window openings.



QwikMag Magnetic Clamps

European-engineered components, now available in New Zealand from Leviat, part of the CRH network of world-class manufacturing businesses.

Accurate, High Quality Panels

Lock down firmly on a straight line to provide rigid support to formwork, eliminating the risk of bowed panels from magnet slippage.

Operational Efficiencies

High performance magnet with large clamping area minimises number of formwork supports required, accelerating casting speeds and reducing operating costs. Compact design saves valuable table space, maximising precast panel width. Increased centre line distance between magnets, thus fewer magnets required, saving costs.

Quick, Safe Installation

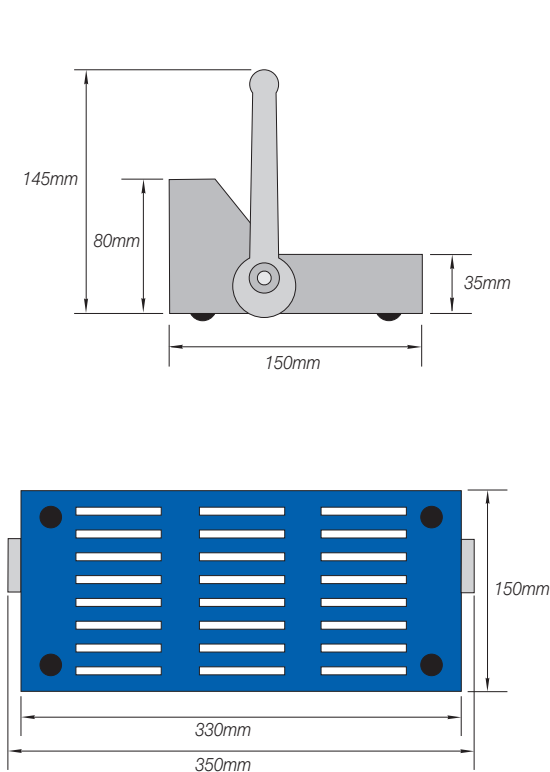
No long travel locking handle or hammer blows required. Simply locked into position with a light hand tap to the top of the clamp.

Durable Product. Reliable Performance.

Reinforced steel body, ensures consistent high performance in industrial environments.

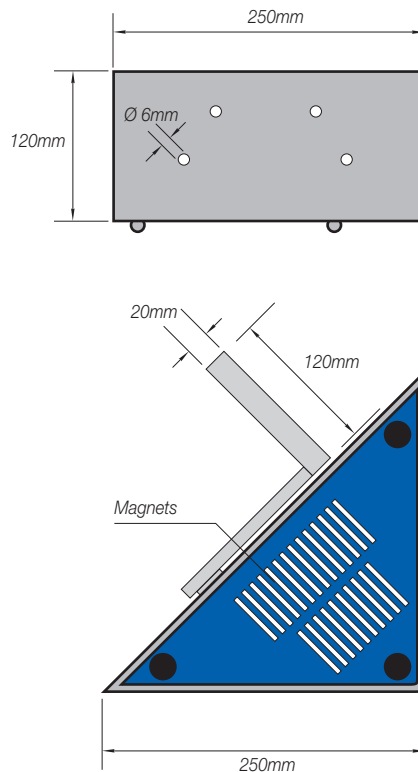
QwikMag200

Standard Formwork Magnet



QwikMag900

Window Formwork Magnet



Product Code	Product Description	Adhesive Force	Sliding Force	Weight	Fixing Holes
QwikMag200	QwikMag Standard Formwork Magnet	430 kg	200 kg	7.6 kg	4 x M10 Thread
QwikMag90	QwikMag Window Formwork Magnet	225 kg	140 kg	6.0 kg	8 x Ø 6mm

Leviat

2/19 Nuttall Drive, Hillsborough, Christchurch 8022
 +64 (0) 3 376 5205
 info.ancon.nz@leviat.com